



Product designation				Power contactor
Product type designation				B115
<b>Contact characteristics</b>				
Number of poles	Nr.			3
Rated insulation voltage $U_i$ IEC/EN	V			1000
Rated impulse withstand voltage $U_{imp}$	kV			8
Operational frequency	min	Hz	25	
	max	Hz	400	
IEC Conventional free air thermal current $I_{th}$	A			160
Operational current $I_e$	AC-1 ( $\leq 40^\circ\text{C}$ )	A	160	
	AC-1 ( $\leq 55^\circ\text{C}$ )	A	150	
	AC-1 ( $\leq 70^\circ\text{C}$ )	A	110	
	AC-3 ( $\leq 440\text{V} \leq 55^\circ\text{C}$ )	A	110	
	AC-4 (400V)	A	47	
Rated operational power AC-1 ( $T \leq 40^\circ\text{C}$ )	230V	kW	57	
	400V	kW	98	
	500V	kW	129	
	690V	kW	173	
IEC max current $I_e$ in DC1 with $L/R \leq 1\text{ms}$ with 1 poles in series	75V	A	160	
	110V	A	100	
	220V	A	-	
	330V	A	-	
	460V	A	-	
IEC max current $I_e$ in DC1 with $L/R \leq 1\text{ms}$ with 2 poles in series	75V	A	160	
	110V	A	130	
	220V	A	100	
	330V	A	-	
	460V	A	-	
IEC max current $I_e$ in DC1 with $L/R \leq 1\text{ms}$ with 3 poles in series	75V	A	160	
	110V	A	130	
	220V	A	130	
	330V	A	100	
	460V	A	-	
IEC max current $I_e$ in DC1 with $L/R \leq 1\text{ms}$ with 4 poles in series	75V	A	160	
	110V	A	130	
	220V	A	130	
	330V	A	130	
	460V	A	100	

IEC max current I<sub>e</sub> in DC3-DC5 with L/R ≤ 15ms with 1 poles in series

75V	A	140
110V	A	70
220V	A	–
330V	A	–
460V	A	–

IEC max current I<sub>e</sub> in DC3-DC5 with L/R ≤ 15ms with 2 poles in series

75V	A	140
110V	A	100
220V	A	80
330V	A	–
460V	A	–

IEC max current I<sub>e</sub> in DC3-DC5 with L/R ≤ 15ms with 3 poles in series

75V	A	140
110V	A	120
220V	A	100
330V	A	80
460V	A	–

IEC max current I<sub>e</sub> in DC3-DC5 with L/R ≤ 15ms with 4 poles in series

75V	A	140
110V	A	120
220V	A	120
330V	A	120
460V	A	80

Short-time allowable current for 10s (IEC/EN60947-1)

A	1100
---	------

Protection fuse

gG (IEC)	A	200
aM (IEC)	A	125

Making capacity (RMS value)

A	1300
---	------

Breaking capacity at voltage

440V	A	1300
500V	A	1100
690V	A	880

Resistance per pole (average value)

mΩ	0.3
----	-----

Power dissipation per pole (average value)

I <sub>th</sub>	W	7.7
AC3	W	4

Tightening torque for terminals

min	Nm	10
max	Nm	10
min	I <sub>bin</sub>	7.4
max	I <sub>bin</sub>	7.4

Max number of wires simultaneously connectable

Nr.	2
-----	---

Power terminal protection according to IEC/EN 60529

IP00
------

### Mechanical features

Operating position

normal	Vertical plan
allowable	±30°

Fixing

Screw
-------

Weight

g	5240
---	------

### Operations

Mechanical life

cycles	10000000
--------	----------

Electrical life

cycles	1100000
--------	---------

**Safety related data**

Performance level B10d according to EN/ISO 13489-1

	rated load mechanical load	cycles cycles	1100000 10000000
Mirror contats according to IEC/EN 609474-4-1			Yes
EMC compatibility			Yes

**AC coil operating**

Rated AC voltage at 50/60Hz, 60Hz

	min	V	220
	max	V	240

AC operating voltage

of 50/60Hz coil powered at 50Hz  
pick-up

min	%Us	80
max	%Us	110

drop-out

min	%Us	20
max	%Us	60

of 50/60Hz coil powered at 60Hz  
pick-up

min	%Us	80
max	%Us	110

drop-out

min	%Us	20
max	%Us	60

of 60Hz coil powered at 60Hz  
pick-up

min	%Us	80
max	%Us	110

drop-out

min	%Us	20
max	%Us	60

AC average coil consumption at 20°C

of 50/60Hz coil powered at 50Hz

in-rush	VA	300
holding	VA	10

of 50/60Hz coil powered at 60Hz

in-rush	VA	300
holding	VA	10

Dissipation at holding ≤20°C 50Hz

W	10
---	----

**DC coil operating**

DC rated control voltage

min	V	220
max	V	240

DC operating voltage

pick-up

min	%Us	80
max	%Us	110

drop-out

min	%Us	20
max	%Us	60

Average coil consumption ≤20°C

in-rush	W	300
holding	W	10

**Max cycles frequency**

Mechanical operation cycles/h 2400

**Operating times**

Average time for Us control

in AC

Closing NO

min ms 60  
max ms 100

Opening NO

min ms 25  
max ms 60

in DC

Closing NO

min ms 60  
max ms 100

Opening NO

min ms 25  
max ms 60

**UL technical data**

Full-load current (FLA) for three-phase AC motor

at 480V A 96  
at 600V A 99

Yielded mechanical performance

for three-phase AC motor

200/208V HP 30  
220/230V HP 40  
460/480V HP 75  
575/600V HP 100

General USE

Contactor

AC current A 160

Short-circuit protection fuse, 600V

Standard fault

Short circuit current kA 5  
Fuse rating A 500  
Fuse class RK5

**Ambient conditions**

Temperature

Operating temperature

min °C -50  
max °C 70

Storage temperature

min °C -60  
max °C 80

Max altitude

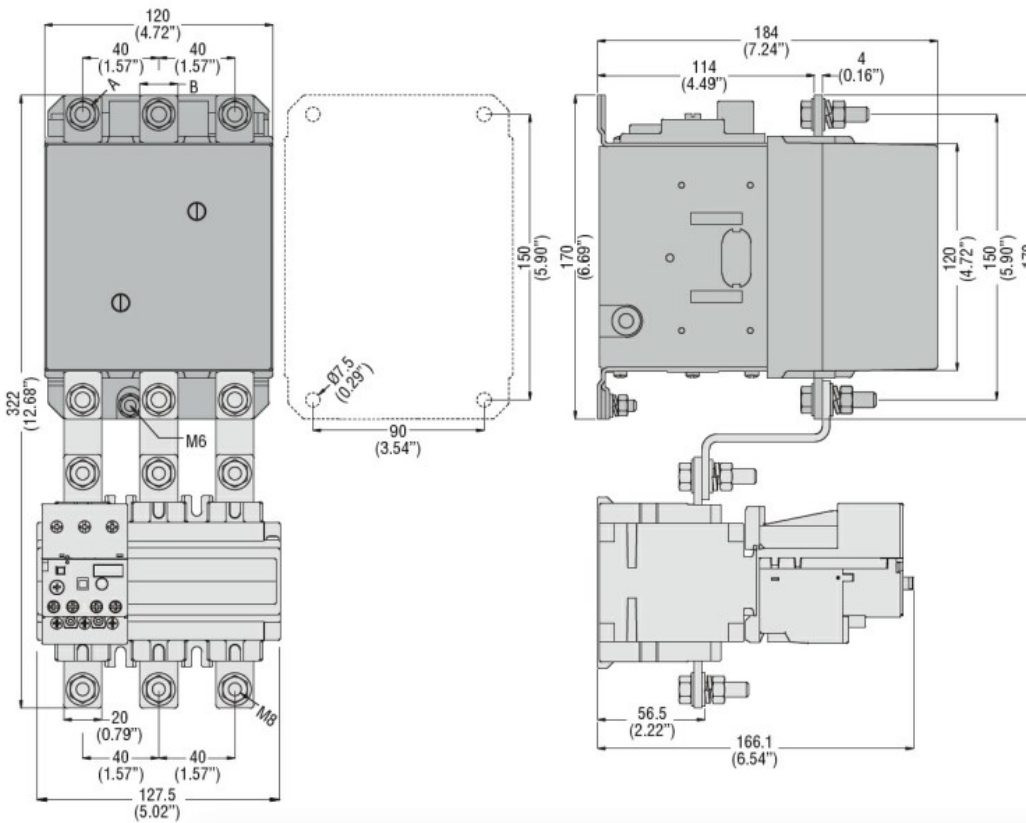
m 3000

**Resistance & Protection**

Pollution degree

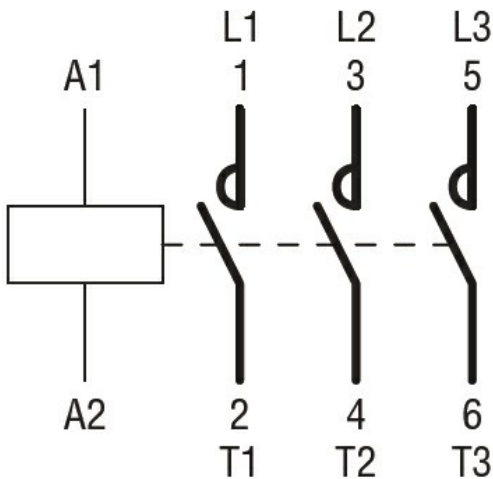
3

**Dimensions**



CONTACTOR TYPE	A	B
B115	M6	15 (0.59")
B145	M8	20 (0.79")
B180	M8	20 (0.79")

### Wiring diagrams



### Certifications and compliance

#### Compliance

CSA C22.2 n° 60947-1  
 CSA C22.2 n° 60947-4-1  
 IEC/EN 60947-1  
 IEC/EN 60947-4-1  
 UL 60947-1  
 UL 60947-4-1

#### Certificates

CCC  
 cULus  
 EAC

### ETIM classification

ETIM 8.0

EC000066 -  
Power contactor,  
AC switching