



## NJB1-X1 Relay (Three Phase Sequence, Phase Failure Protection)

### 1. General

NJB1-X1 relay (phase sequence, phase failure protection) is used as an phase sequence and phase failure protection device in control circuits with an AC voltage of 200V~500V and a frequency of 50Hz to make and break the circuit. It cannot monitor the phase failure of motor load.

### 2. Type designation

N JB 1 - X1



Function code:  
X1: phase sequence, phase failure relay

Design sequence No.

Relay

Company code

### 3. Operating conditions

3.1 Rated operational voltage: 200V AC~500V AC

3.2 Operation time: phase sequence, phase failure  $\leq 0.1s$

3.3 Contact capacity:

Ue/Ie: AC-15 220V/0.75A, 380V/0.47A;

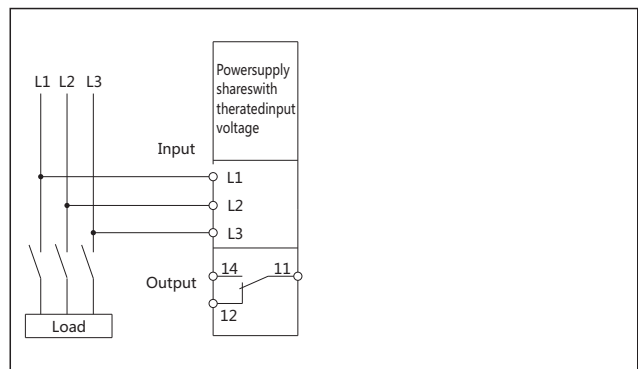
Ith: 3A

3.4 Mounting type: rail type, installation type

3.5 Power consumption:  $\leq 3VA$

3.6 Note: In normal operation, the NO contact of the relay is closed, the operation indicator is on.

### 4. Wiring diagram



### 5. Overall and mounting dimensions (mm)

