



Handles for switch
disconnecter
GAX6

Product designation

Product type designation

Mechanical features

Weight

g 73

UL technical data

UL Standard

UL98-UL60947-4-1 / CSA C22.2 n°4

Ambient conditions

Operating temperature

min	°C	-25
max	°C	55

Storage temperature

min	°C	-40
max	°C	70

Max altitude

m 3000

Resistance & Protection

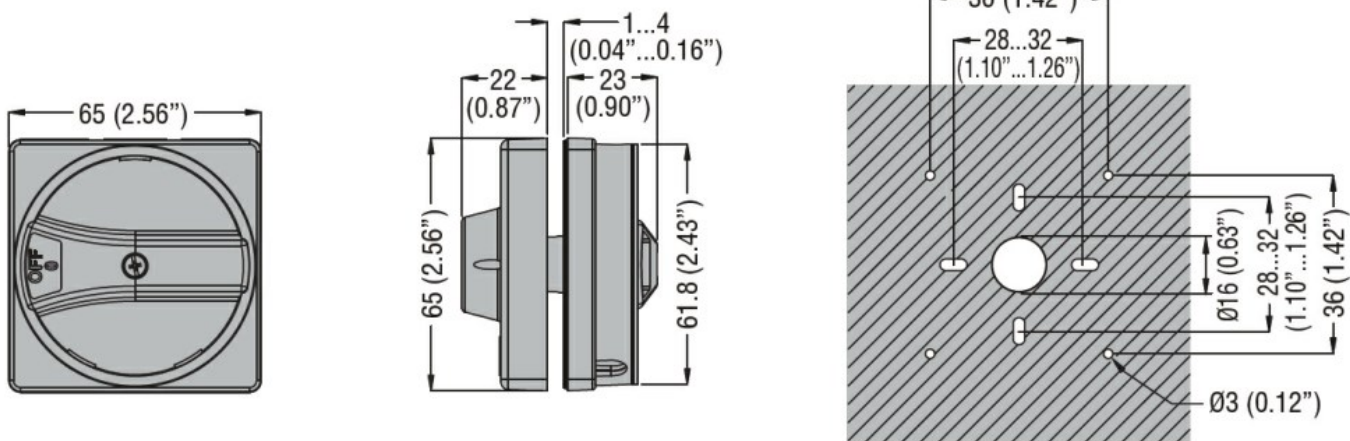
Frontal IP degree

IP65

Pollution degree

3

Dimensions



Certifications and compliance

Compliance

CSA C22.2

IEC/EN 60947-1

IEC/EN 60947-3

UL508

UL98

Certifications

CCC

DOOR COUPLING HANDLE, PADLOCKABLE. RED/YELLOW, ROTATING, FOR GA...A, GA063
SA, GA...C AND GA...D. SCREW FIXING. RECESSED SELECTOR. 5MM/0.2". IEC IP65/UL
TYPE 4X

cULus according to UL508 / CSA C22.2 n°14

cULus according to UL98 / CSA C22.2 n°4

EAC

ETIM 6 classification

EC000066 - Power contactor, AC switching