


Strain relief grommets in PLIOPRENE TPE

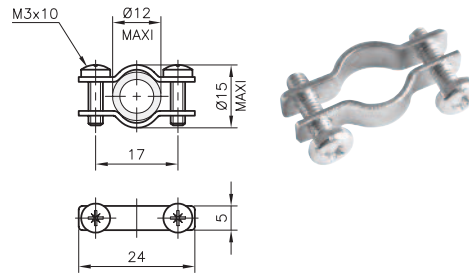


PLIOPRENE TPE

-50 to +125°C

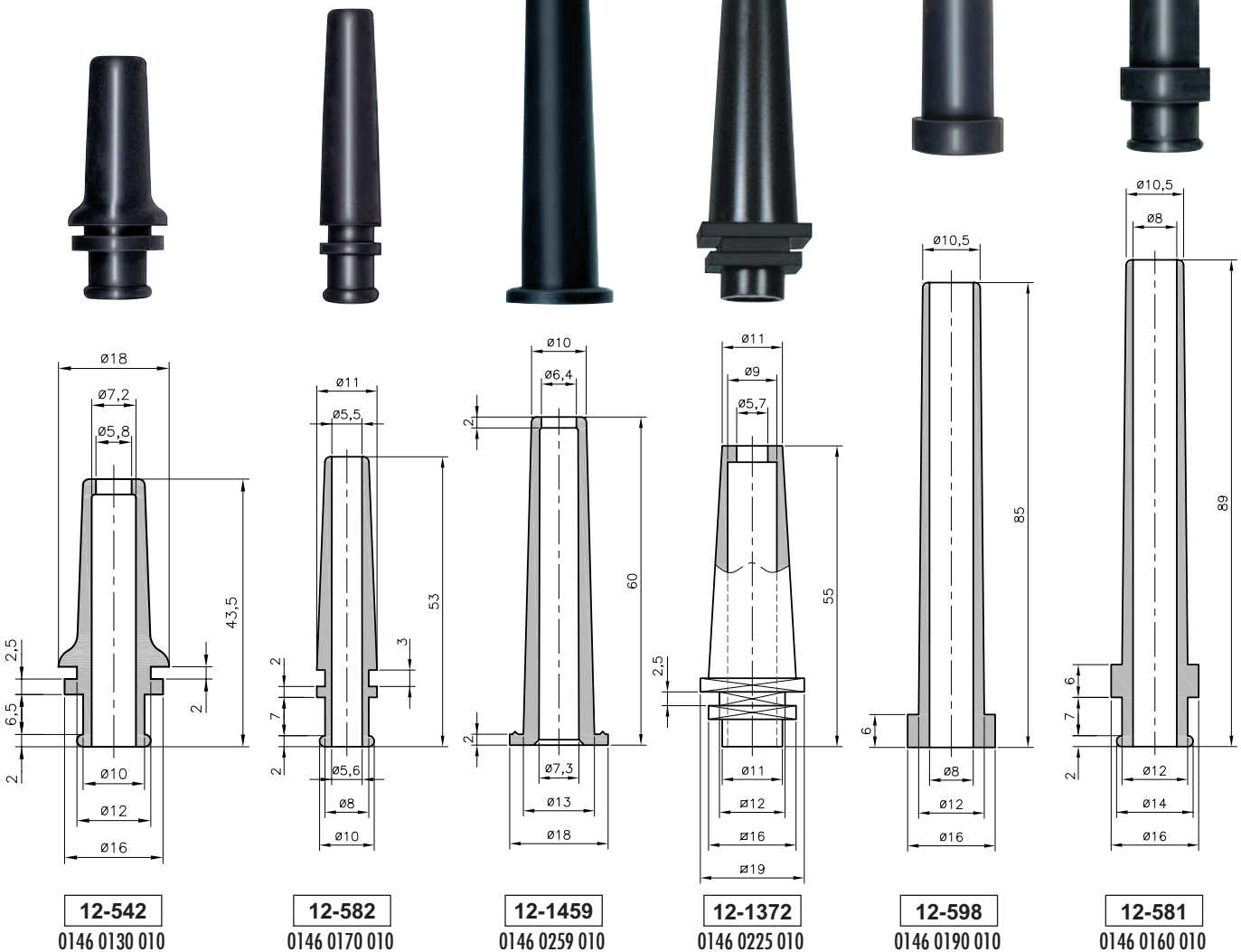


type	artide number	
12-542 TPE	0146 0130 010	100
12-552 TPE	0146 0140 010	100
12-553 TPE	0146 0150 010	100
12-581 TPE	0146 0160 010	100
12-582 TPE	0146 0170 010	100
12-583 TPE	0146 0180 010	100
12-598 TPE	0146 0190 010	100
12-599 TPE	0146 0200 010	100
12-600 TPE	0146 0210 010	100
12-908 TPE	0146 0220 010	100
12-1372 TPE	0146 0225 010	50
12-1374 TPE	0146 0230 010	100
12-1392 TPE	0146 0240 010	100
12-1459 TPE	0146 0259 010	100
12-1460 TPE	0146 0260 010	100
12-1462 TPE	0146 0250 010	100
12-1466 TPE	0146 0251 010	100
12-1584 TPE	0146 0261 010	100



16-900
0684 0054 000

Metal clamp for strain relief grommets
12-542 ; 12-582 ; 12-583 ; 12-908
16-900 0684 0054 000 100

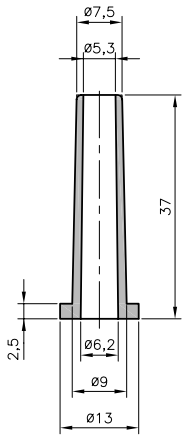


Strain relief grommets
in PLIOPRENE TPE

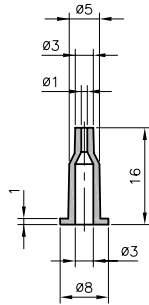


PLIOPRENE TPE

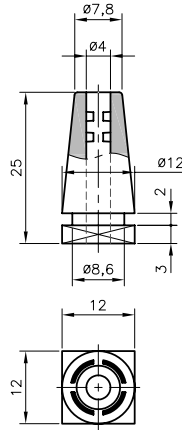
-50 to +125°C



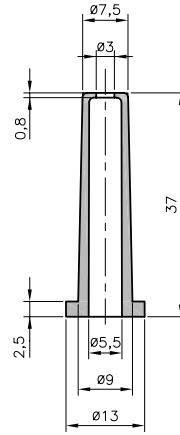
12-1466
0146 0251 010



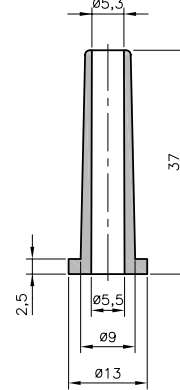
12-1460
0146 0260 010



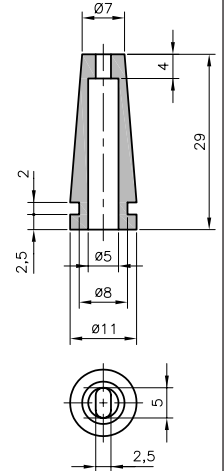
12-1392
0146 0240 010



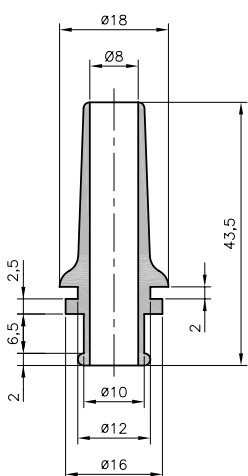
12-1462
0146 0250 010



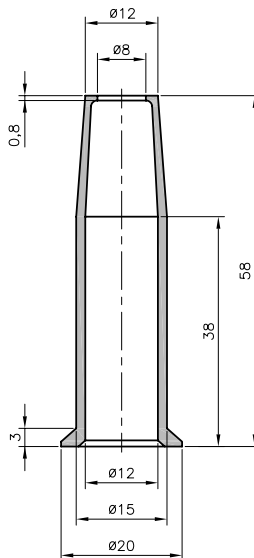
12-600
0146 0210 010



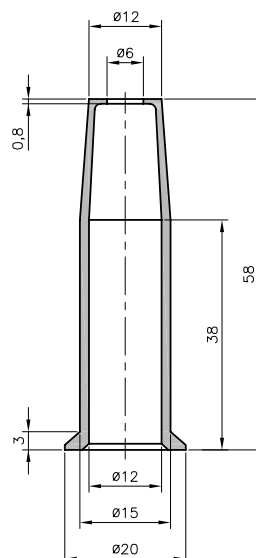
12-1374
0146 0230 010



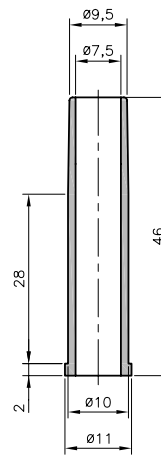
12-908
0146 0220 010



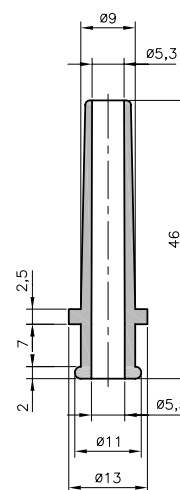
12-552
0146 0140 010



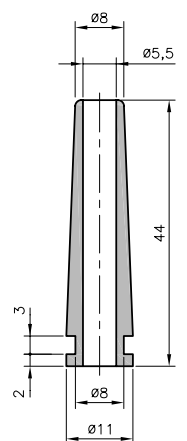
12-1584
0146 0261 010



12-553
0146 0150 010



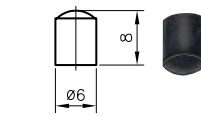
12-583
0146 0180 010



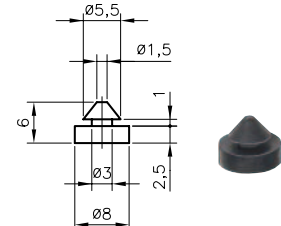
12-599
0146 0200 010

• Buffers or feet in black Plioprene (-50 to +125°C)

type	artide number	
12-1086 TPE	0146 0010 010	100
12-1310 TPE	0146 0020 010	100



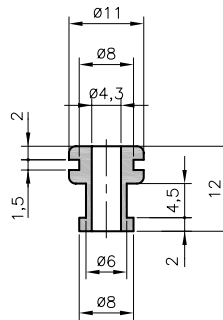
12-1086
0146 0010 010



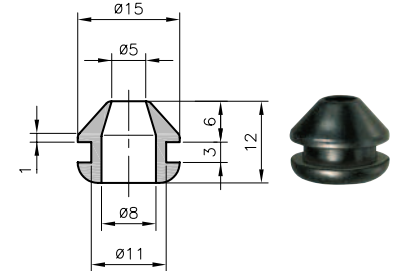
12-1310
0146 0020 010

• Special grommet in black Plioprene (-50 to +125°C)

type	artide number	
Special grommet		
12-1017 TPE	0146 0310 010	100
12-1431 TPE	0146 0330 010	100



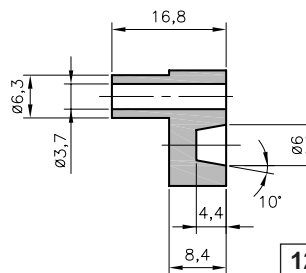
12-1017
0146 0310 010



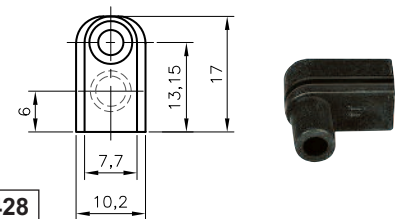
12-1431
0146 0330 010

Cable grommet

12-1428 TPE	0146 0401 010	100
-------------	---------------	-----

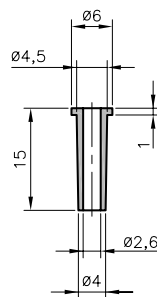


12-1428
0146 0401 010

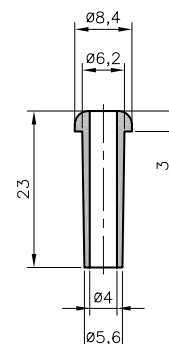


• Bushes in Plioprene very flexible, black (-40 to +70°C)

type	artide number	
12-387 TPE	0146 0110 010	100
12-407 TPE	0146 0120 010	100



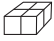
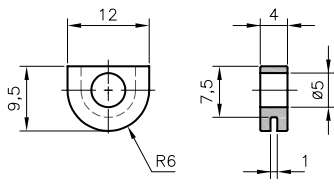

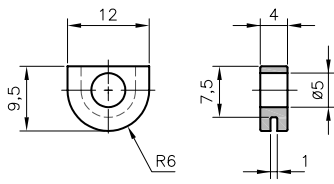
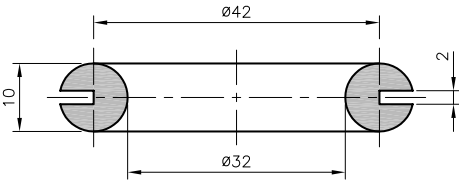

12-387
0146 0110 010





12-407
0146 0120 010

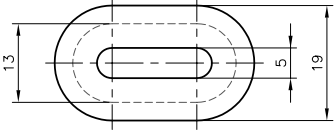
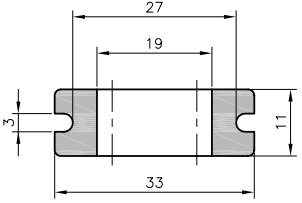
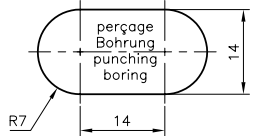
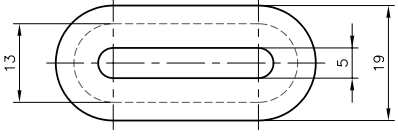
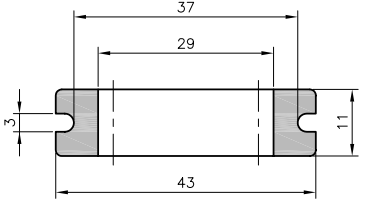
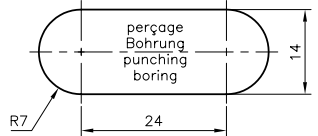
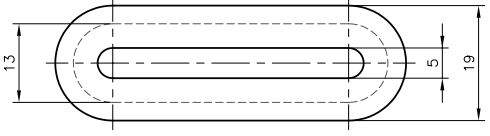
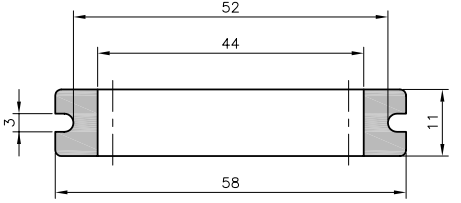
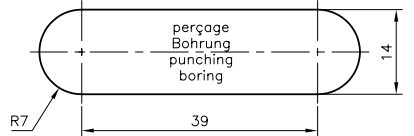
These bushes can be easily applied with our sleeve expanders (see page D1/1).

• Special grommet in black Plioprene

type	article number			
12-1461 TPE	0146 0331 010	100	 12-1461 0146 0331 010	
12-1480 TPE	0146 0332 010	50	 12-1480 0146 0332 010	

• Oval DO-TPE grommets in black Plioprene for flat wire protection

type	article number		
DO-TPE 19/27/33/3	0144 0351 010	100	
DO-TPE 29/37/43/3	0144 0352 010	100	
DO-TPE 44/52/58/3	0144 0353 010	100	

   DO 19/27/33/3 0144 0351 010	   DO 29/37/43/3 0144 0352 010	   DO 44/52/58/3 0144 0353 010
--	--	---



www.klinkmann.com

HELSINKI

tel. +358 9 540 4940
info@klinkmann.fi

ST. PETERSBURG

tel. +7 812 327 3752
klinkmann@klinkmann.spb.ru

MOSCOW

tel. +7 495 641 1616
moscow@klinkmann.spb.ru

YEKATERINBURG

tel. +7 343 287 19 19
yekaterinburg@klinkmann.spb.ru

SAMARA

tel. +7 846 273 95 85
samara@klinkmann.spb.ru

UFA

tel. +7 347 293 70 04
klinkmann@klinkmann.ru

KIEV

tel. +38 044 495 33 40
klinkmann@klinkmann.kiev.ua

KAZAKHSTAN

tel. +77779994825
sales@klinkmann.kz

MINSK

tel. +375 17 200 0876
minsk@klinkmann.com

RIGA

tel. +371 6738 1617
info@klinkmann.lv

VILNIUS

tel. +370 5 215 1646
info@klinkmann.lt

TALLINN

tel. +372 668 4500
info@klinkmann.ee